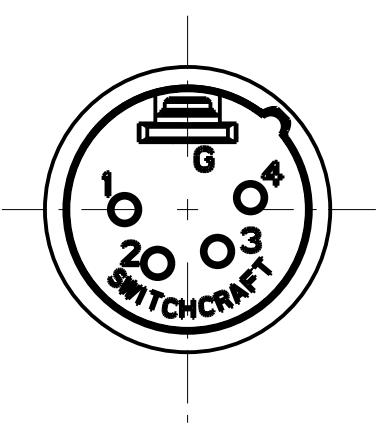
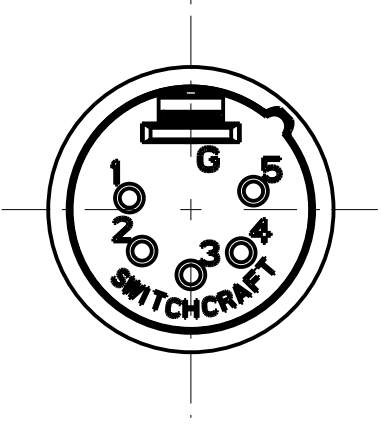


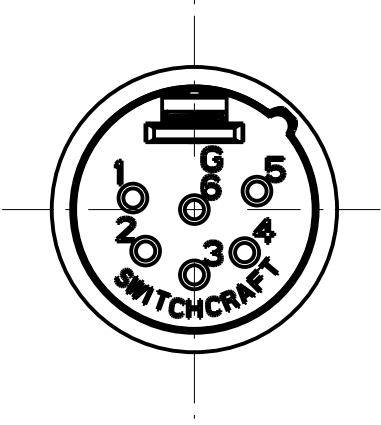
3 PIN



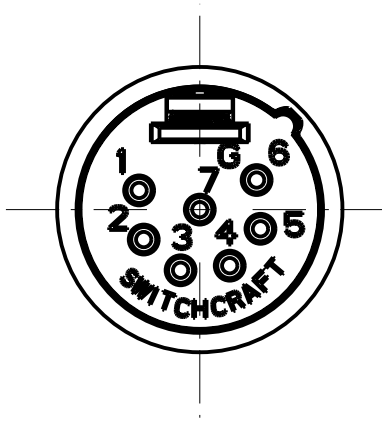
4 PIN



5 PIN



6 PIN



7 PIN

STANDARD SERIES

(M) INSERT SCREW - STAINLESS STEEL
 FLEX RELIEF SCREW - STEEL
 HOUSING - ZINC, NICKEL PLATED
 TUBULAR INSULATOR - MYLAR
 SOLDER TERMINAL - BRASS, ELECTRO TIN
 FLEX RELIEF - HI-FAX
 CLAMP PLATE - STAINLESS STEEL
 INSULATOR - POLYESTER, GREEN (UL94V-0)
 PINS - BRASS, SILVER PLATED

FLEX RELIEF COLOR
 BLANK = BLACK
 01 = BROWN
 02 = RED
 03 = ORANGE
 04 = YELLOW
 05 = GREEN
 06 = BLUE
 07 = VIOLET
 08 = GRAY
 09 = WHITE

PIN PLATING
 BLANK = SILVER (STANDARD)
 AU = GOLD

HOUSING FINISH
 BLANK = NICKEL PLATED (STANDARD)
 B = BLACK

FLEX RELIEF SIZE
 BLANK = STANDARD SIZE (0.210 TO 0.300)
 L = LARGE CABLES (0.300 TO .0328)
 S = SMALL CABLES (0.105 TO 0.205)

NO. OF PINS:
 3 = 3 PINS
 4 = 4 PINS
 5 = 5 PINS
 6 = 6 PINS
 7 = 7 PINS

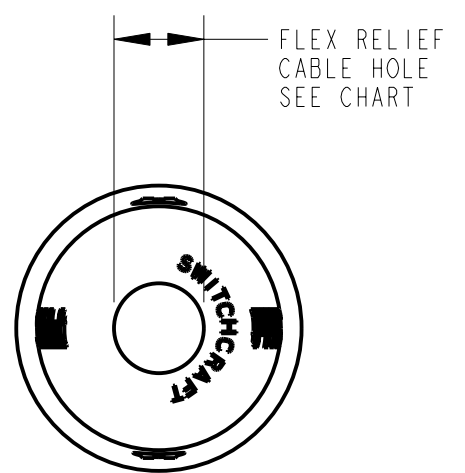
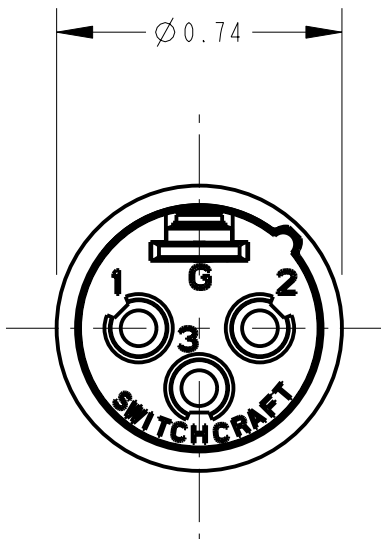
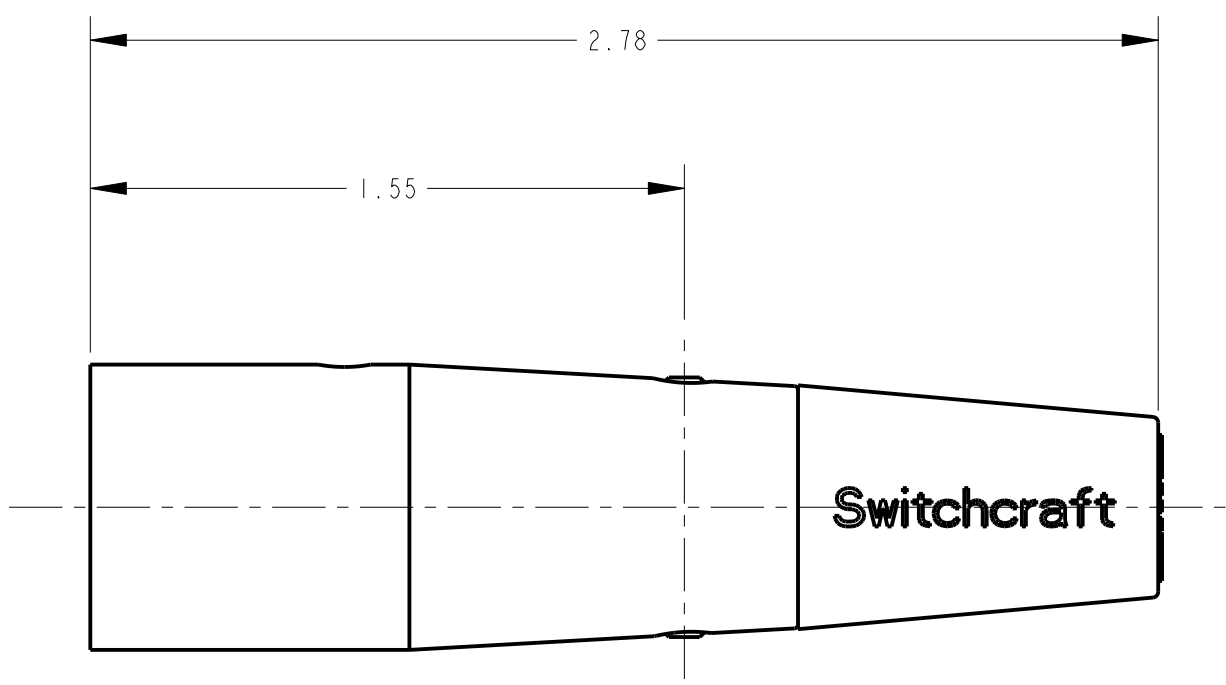
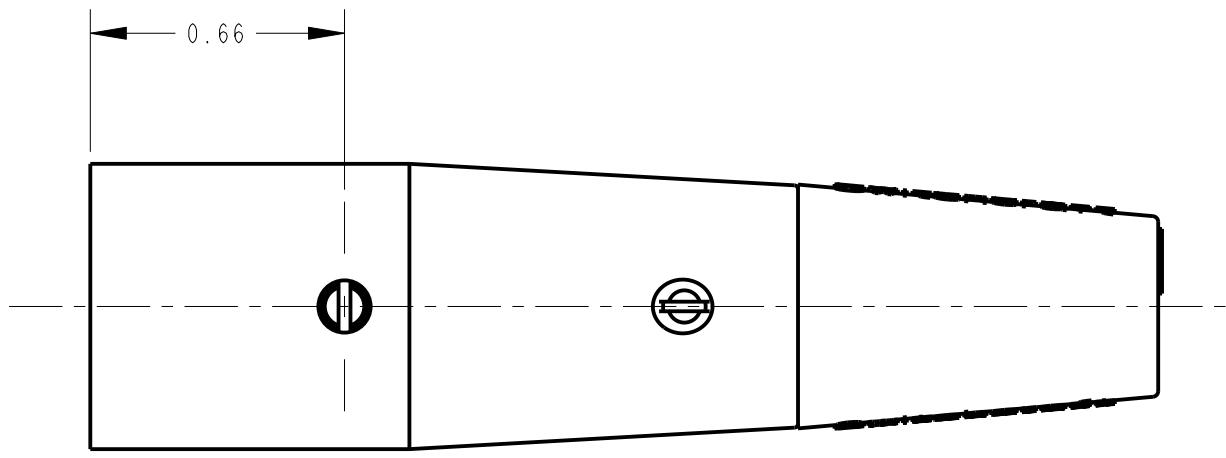
PROFESSIONAL SERIES

(M) SAME AS ABOVE EXCEPT
 HOUSING - NON-REFLECTIVE VELTONE FINISH
 FLEX RELIEF - GRAY
 PIN - PHOSPHOR BRONZE, GOLD OVER NICKEL

QGP 23

NO. OF PINS:
 3 = 3 PINS
 4 = 4 PINS
 5 = 5 PINS
 6 = 6 PINS
 7 = 7 PINS

NOTE:
 1. ALL DIMENSIONS REFERENCE UNLESS OTHERWISE SPECIFIED.



CUSTOMER DRAWING

<p>★ STAR SYMBOL DENOTES CRITICAL DIMENSION</p> <p>UNLESS OTHERWISE SPECIFIED</p> <p>1. ALL DIMENSIONS IN INCHES - TWO PLACE DECIMALS ±0.01 - THREE PLACE DECIMALS ±0.005 - ANGLES ±1° - ALL DIA. CONCENTRIC WITHIN 0.005 T.I.R.</p> <p>2. FEATURES ON THE SAME CENTERLINE MUST BE ALIGNED WITHIN ±0.002</p> <p>3. REMOVE ALL BURRS</p> <p>DO NOT SCALE DRAWING</p>				<p>THIS DRAWING DESCRIBES A DESIGN CONSIDERED PROPRIETARY IN NATURE, DEVELOPED AND MANUFACTURED BY SWITCHCRAFT INC. AND IS RELEASED ON A CONFIDENTIAL BASIS FOR IDENTIFICATION PURPOSES ONLY.</p>			
SIZE	WIDTH	MULT	LBS/M	TEMPER	FINISH	MATERIAL SPEC No.	
					FIRST USED ON	SCALE 2:1	
M	27215	10-28-13	TO	TJK	DATE DRAWN	BY	
L	ECO #22530	12-21-98	MM	EB	6-18-94	SG	
K	22353	6-12-98	DA	EB	CHKD	APVD	
					AA	GHJ	
					7-22-94	8-1-94	
REV	ECO NUMBER	DATE	BY	APVD	NAME	PART No.	
						A SERIES MALE QG	
REVISIONS						A_M_SERIES	
						SHEET 1 OF 1	
						REV M	

