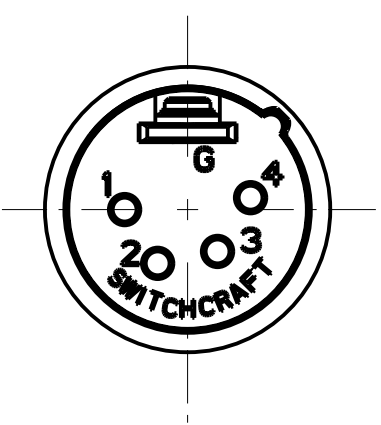
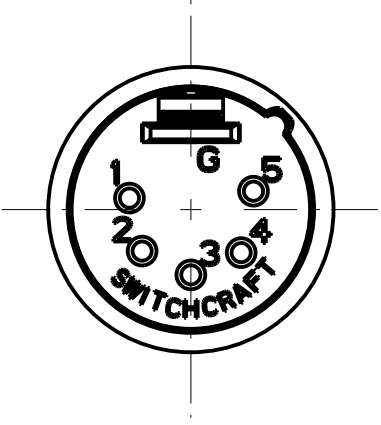


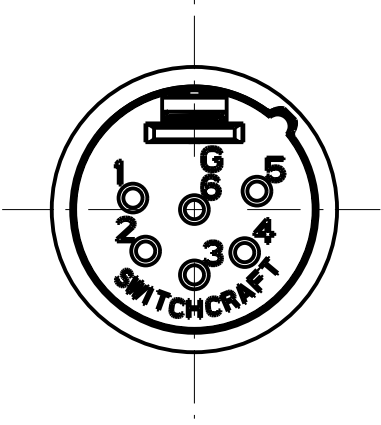
3 PIN



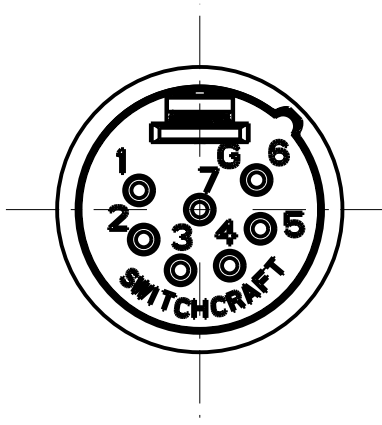
4 PIN



5 PIN



6 PIN



7 PIN

**STANDARD SERIES**

(M) INSERT SCREW - STAINLESS STEEL  
 FLEX RELIEF SCREW - STEEL  
 HOUSING - ZINC, NICKEL PLATED  
 TUBULAR INSULATOR - MYLAR  
 SOLDER TERMINAL - BRASS, ELECTRO TIN  
 FLEX RELIEF - HI-FAX  
 CLAMP PLATE - STAINLESS STEEL  
 INSULATOR - POLYESTER, GREEN (UL94V-0)  
 PINS - BRASS, SILVER PLATED

FLEX RELIEF COLOR  
 BLANK = BLACK  
 01 = BROWN  
 02 = RED  
 03 = ORANGE  
 04 = YELLOW  
 05 = GREEN  
 06 = BLUE  
 07 = VIOLET  
 08 = GRAY  
 09 = WHITE

PIN PLATING  
 BLANK = SILVER (STANDARD)  
 AU = GOLD

HOUSING FINISH  
 BLANK = NICKEL PLATED (STANDARD)  
 B = BLACK

FLEX RELIEF SIZE  
 BLANK = STANDARD SIZE (0.210 TO 0.300)  
 L = LARGE CABLES (0.300 TO .0328)  
 S = SMALL CABLES (0.105 TO 0.205)

NO. OF PINS:  
 3 = 3 PINS  
 4 = 4 PINS  
 5 = 5 PINS  
 6 = 6 PINS  
 7 = 7 PINS

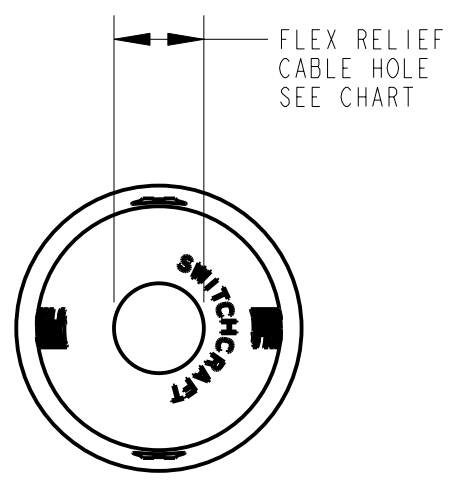
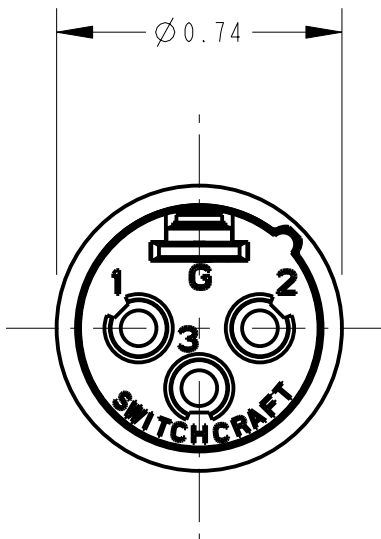
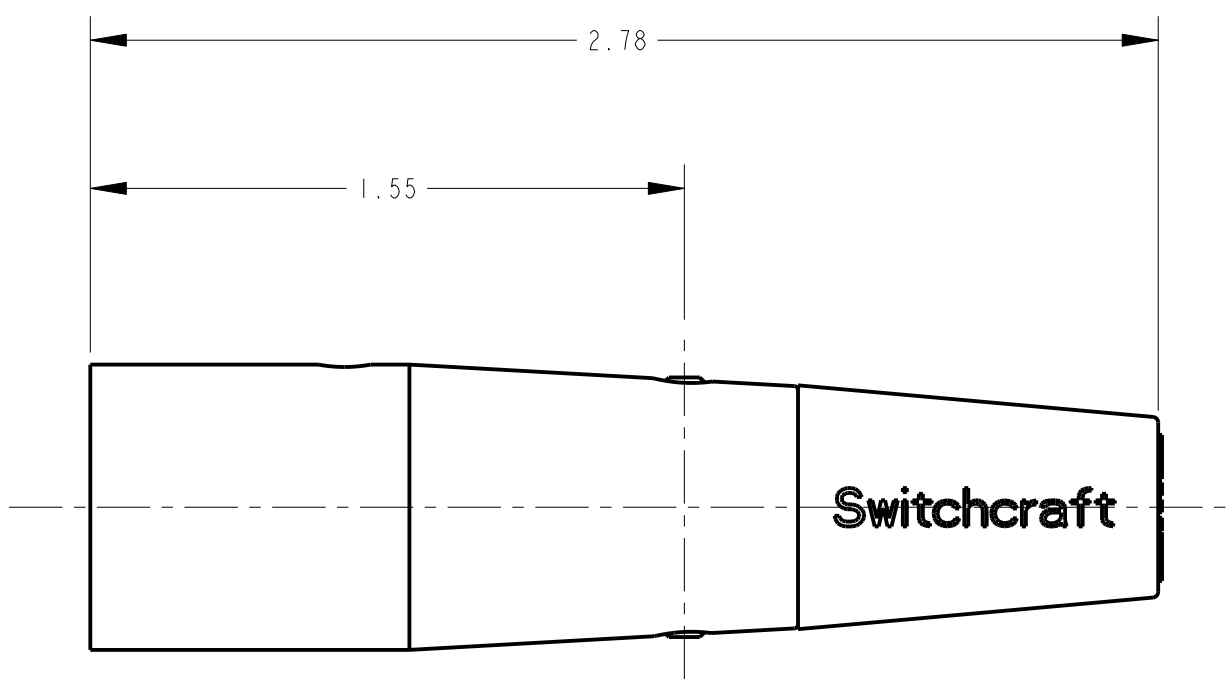
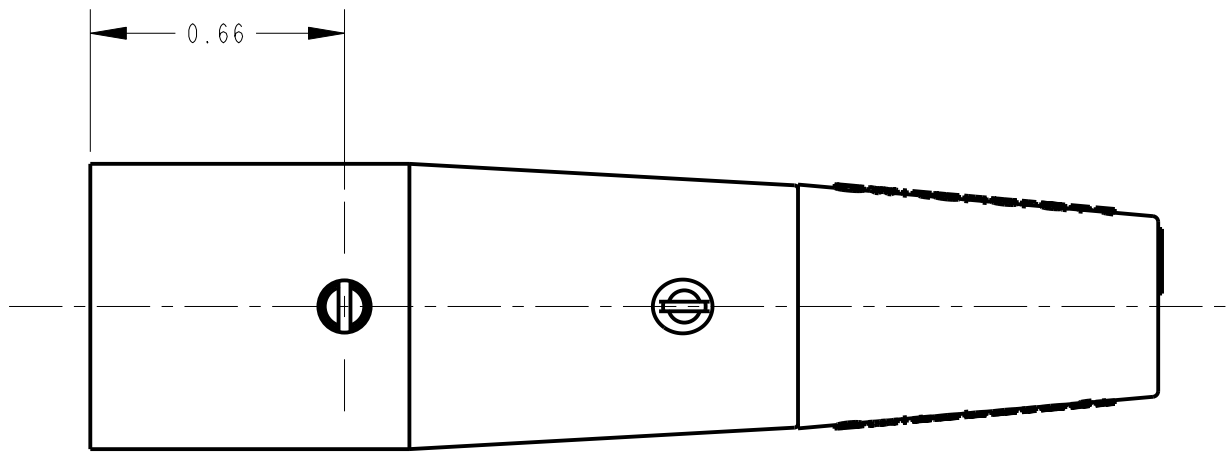
**PROFESSIONAL SERIES**

(M) SAME AS ABOVE EXCEPT  
 HOUSING - NON-REFLECTIVE VELTONE FINISH  
 FLEX RELIEF - GRAY  
 PIN - PHOSPHOR BRONZE, GOLD OVER NICKEL

QGP 23

NO. OF PINS:  
 3 = 3 PINS  
 4 = 4 PINS  
 5 = 5 PINS  
 6 = 6 PINS  
 7 = 7 PINS

NOTE:  
 1. ALL DIMENSIONS REFERENCE UNLESS OTHERWISE SPECIFIED.



CUSTOMER DRAWING

				★ STAR SYMBOL DENOTES CRITICAL DIMENSION				THIS DRAWING DESCRIBES A DESIGN CONSIDERED PROPRIETARY IN NATURE, DEVELOPED AND MANUFACTURED BY SWITCHCRAFT INC. AND IS RELEASED ON A CONFIDENTIAL BASIS FOR IDENTIFICATION PURPOSES ONLY.					
				UNLESS OTHERWISE SPECIFIED				SIZE	WIDTH	MULT	LBS/M	TEMPER	
				1. ALL DIMENSIONS IN INCHES - TWO PLACE DECIMALS ±0.01 - THREE PLACE DECIMALS ±0.005 - ANGLES ±1° - ALL DIA. CONCENTRIC WITHIN 0.005 T.I.R.				FINISH		MATERIAL		SPEC No.	
				2. FEATURES ON THE SAME CENTERLINE MUST BE ALIGNED WITHIN ±0.002				FIRST USED ON		SCALE		<b>Switchcraft</b>	
				3. REMOVE ALL BURRS				DATE DRAWN	BY	CHKD	APVD		
M	27215	10-28-13	TO	TJK	6-18-94		SG	AA	7-22-94	GHJ	8-1-94		
L	ECO #22530	12-21-98	MM	EB	NAME		A SERIES MALE QG		PART No.		REV		
K	22353	6-12-98	DA	EB	REVISIONS		DO NOT SCALE DRAWING		A_M_SERIES		M		
								A SERIES MALE QG					