



3 PIN



4 PIN



5 PIN



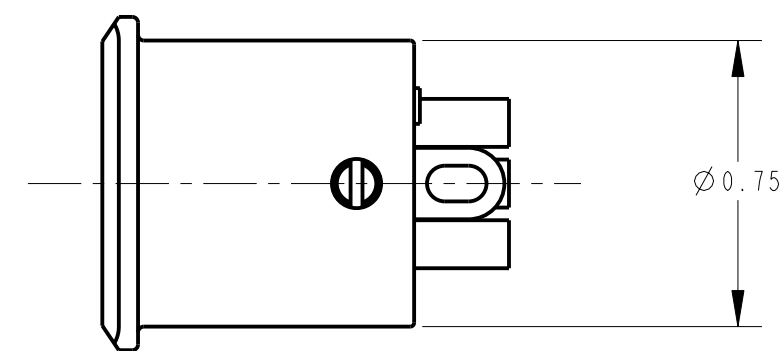
6 PIN



7 PIN

NOTES:

1. ALL DIMENSIONS REF. UNLESS OTHERWISE SPECIFIED.
2. THESE PRODUCTS ARE RoHS COMPLIANT.



STANDARD SERIES

SCREW - STAINLESS STEEL
 HOUSING - ZINC, NICKEL PLATED
 SOLDER TERMINAL - BRASS, ELECTRO TIN PLATED
 INSULATOR - POLYESTER, GREEN (UL94V-0)
 CONTACT PIN - BRASS, SILVER PLATED

CONTACT PLATING
 BLANK = SILVER (STANDARD)
 AU = GOLD

HOUSING FINISH
 BLANK = NICKEL PLATE (STANDARD)
 B = BLACK
 S = SANDED

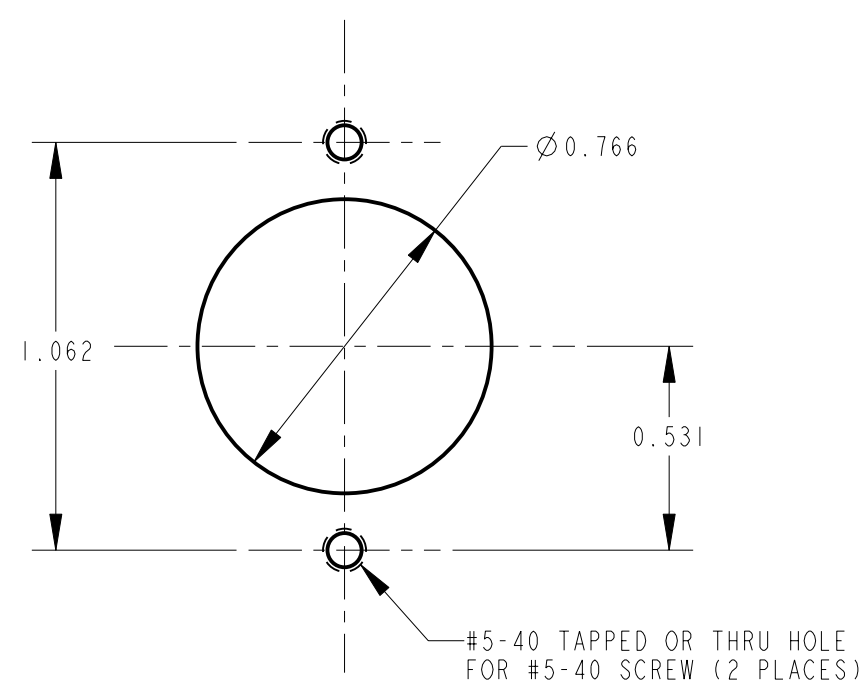
NO. OF CONTACTS:
 3 = 3 CONTACTS
 4 = 4 CONTACTS
 5 = 5 CONTACTS
 6 = 6 CONTACTS
 7 = 7 CONTACTS

PROFESSIONAL SERIES

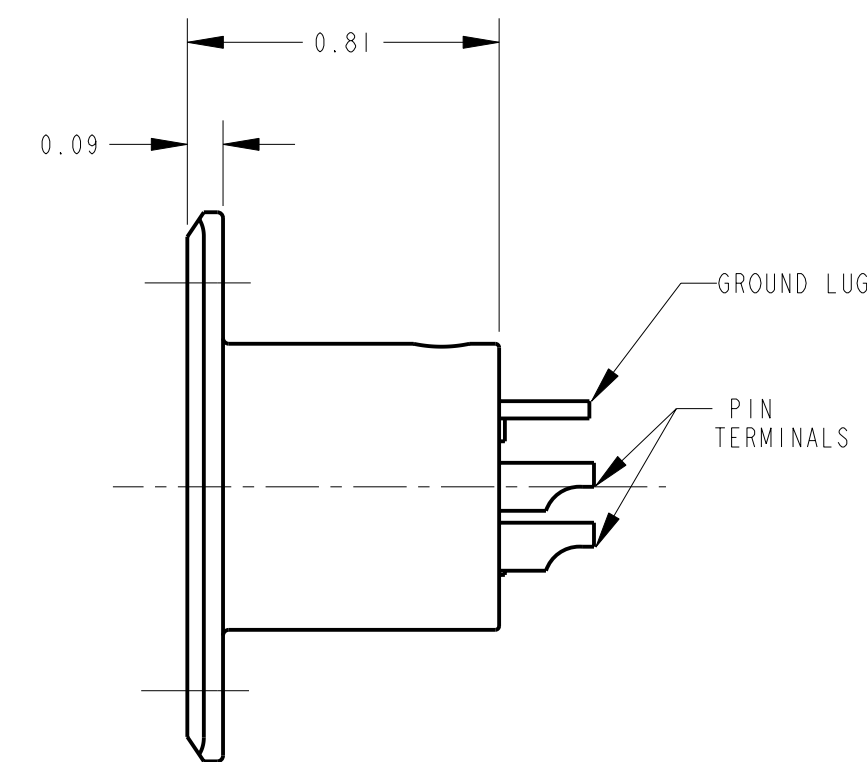
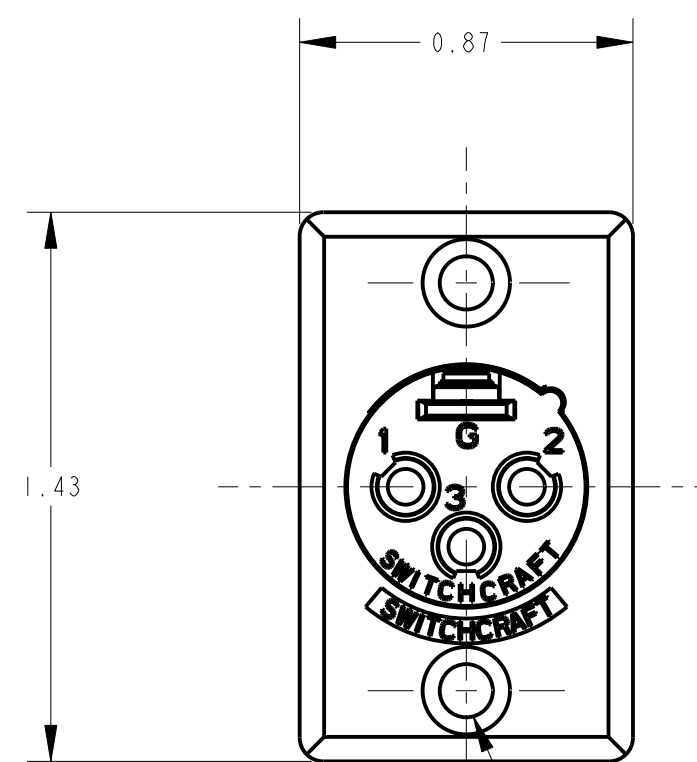
SAME AS ABOVE EXCEPT
 CONTACT PIN - PHOSPHOR BRONZE, GOLD OVER NICKEL

QGP - 63

NO. OF CONTACTS:
 3 = 3 CONTACTS
 4 = 4 CONTACTS
 5 = 5 CONTACTS
 6 = 6 CONTACTS
 7 = 7 CONTACTS



RECOMMENDED PANEL CUT-OUT



CUSTOMER DRAWING

| | | | | | | | | | | |
|--|--|--|--|---|--|--|-------|------------------|---------|--------------------|
| | | | | ★ STAR SYMBOL DENOTES CRITICAL DIMENSION | | THIS DRAWING DESCRIBES A DESIGN CONSIDERED PROPRIETARY IN NATURE, DEVELOPED AND MANUFACTURED BY SWITCHCRAFT INC. AND IS RELEASED ON A CONFIDENTIAL BASIS FOR IDENTIFICATION PURPOSES ONLY. | | | | |
| | | | | UNLESS OTHERWISE SPECIFIED | | SIZE | WIDTH | MULT | LBS/M | TEMPER |
| | | | | 1. ALL DIMENSIONS IN INCHES - TWO PLACE DECIMALS ±0.01 - THREE PLACE DECIMALS ±0.005 - ANGLES ±1° - ALL DIA. CONCENTRIC WITHIN 0.005 T.I.R. | | FINISH | | MATERIAL | | |
| | | | | 2. FEATURES ON THE SAME CENTERLINE MUST BE ALIGNED WITHIN ±0.002 | | SPEC No. | | SPEC No. | | |
| | | | | 3. REMOVE ALL BURRS | | FIRST USED ON | | SCALE | | |
| | | | | DO NOT SCALE DRAWING | | DATE DRAWN | BY | CHKD | APVD | Switchcraft |
| | | | | REVISIONS | | 00-000-90 | SG | 8-15-94 | 8-15-94 | |
| | | | | | | NAME | | D SERIES MALE QG | | SHEET OF |
| | | | | | | | | | | REV |
| | | | | | | | | | | L |