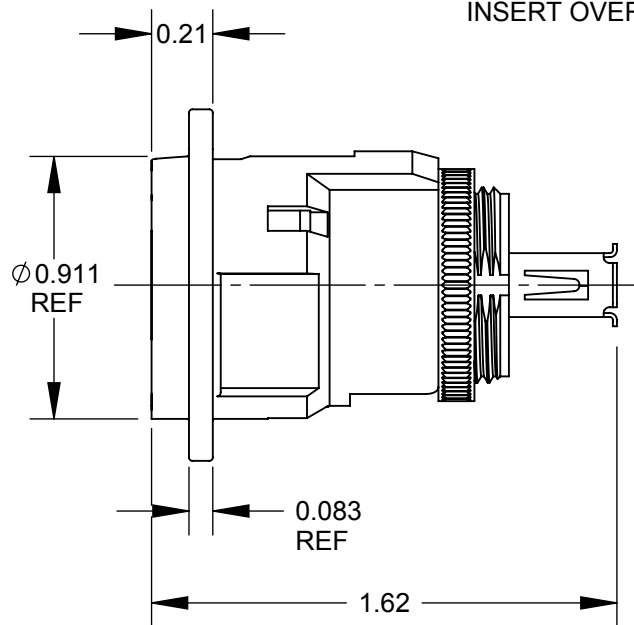
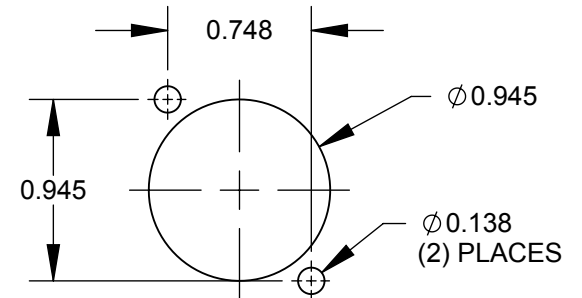
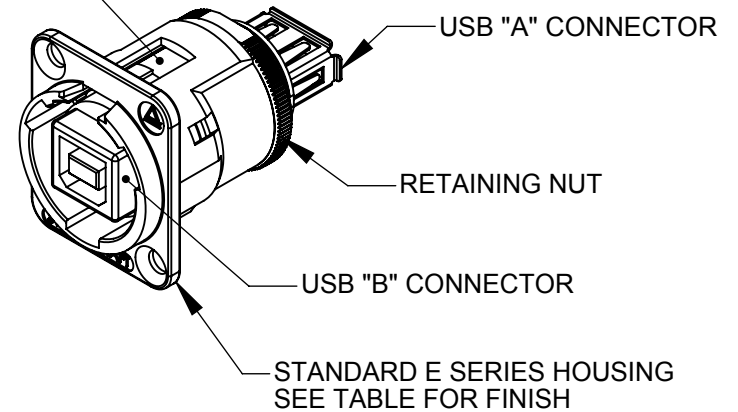


✓ $\varnothing 0.138$ THRU
 $\varnothing 0.230 \times 82^\circ$
 (2) PLACES
 REF



INSERT OVERMOLD



RECOMMENDED
PANEL CUT-OUT

CUSTOMER DRAWING

NOTES:

- MATERIALS:**
 INSERT OVERMOLD - THERMOPLASTIC, BLACK
 RETAINING NUT - BRASS, NICKEL PLATED
 HOUSING - ZINC ALLOY
- THIS PRODUCT IS RoHS COMPLIANT.

PART NUMBER	HOUSING FINISH
EHUSBBAX	NICKEL
EHUSBBABX	BLACK CHROME

★ STAR SYMBOL DENOTES CRITICAL DIMENSION

UNLESS OTHERWISE SPECIFIED
 1. ALL DIMENSIONS IN INCHES
 - TWO PLACE DECIMALS ± 0.01
 - THREE PLACE DECIMALS ± 0.005
 - ANGLES $\pm 1^\circ$

THIS DRAWING DESCRIBES A DESIGN CONSIDERED PROPRIETARY IN NATURE, DEVELOPED AND MANUFACTURED BY SWITCHCRAFT INC. AND IS RELEASED ON A CONFIDENTIAL BASIS FOR IDENTIFICATION PURPOSES ONLY.

						SIZE	WIDTH	MULT	LBS/M	TEMPER	
						FINISH				MATERIAL	
						SPEC No.				SPEC No.	
						FIRST USED ON			SCALE 1.5:1		
						DATE DRAWN	BY	CHKD	APVD		
						5/5/09	RS	RS 5/7/09	TJK 7/15/09		
A	26076	7/15/06	RS	TJK						SHEET 1 OF 1	
REV	ECO NUMBER	DATE	BY	APVD		NAME E SERIES CONNECTOR, USB B FEMALE TO A FEMALE, RoHS				PART No. EHUSBBA_X SERIES	REV A
REVISIONS					DO NOT SCALE DRAWING						

SolidWorks CAD File

