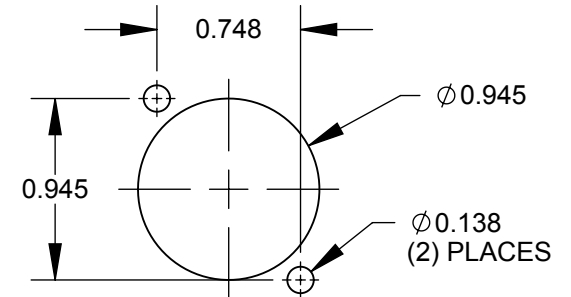
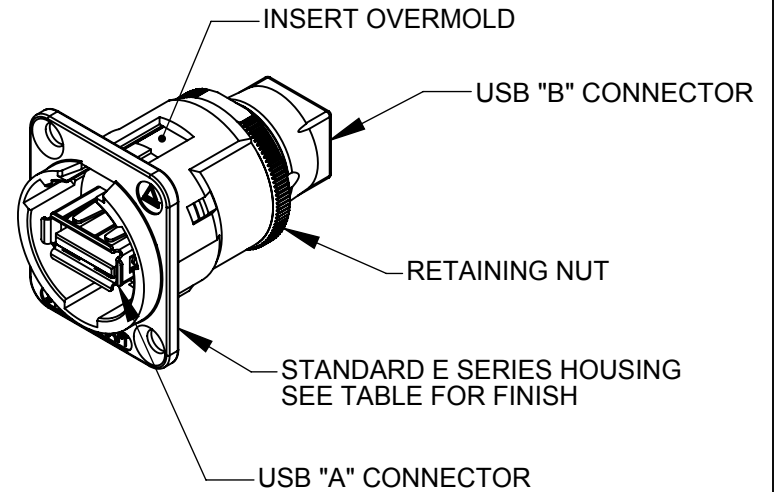
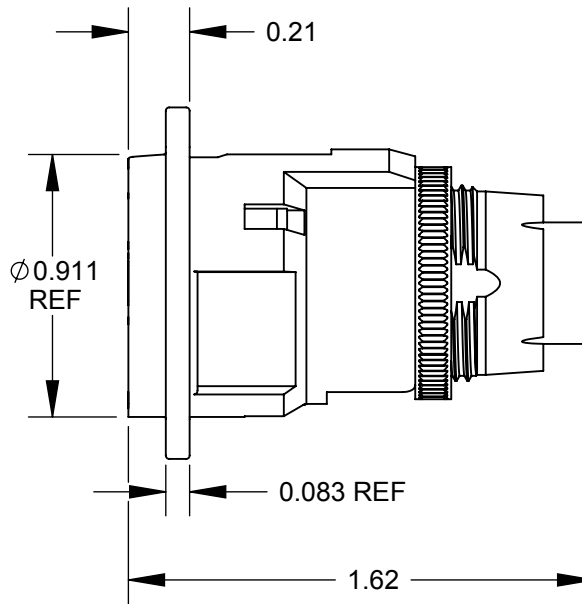


✓ $\varnothing 0.138$ THRU
 $\varnothing 0.230 \times 82^\circ$
 (2) PLACES
 REF



NOTES:

- MATERIALS:**
 INSERT OVERMOLD - THERMOPLASTIC, BLACK
 RETAINING NUT - BRASS, NICKEL PLATED
 HOUSING - ZINC ALLOY
- THIS PRODUCT IS RoHS COMPLIANT.

| PART NUMBER | HOUSING FINISH |
|-------------|----------------|
| EHUSBABX | NICKEL |
| EHUSBABBX | BLACK CHROME |

RECOMMENDED
PANEL CUT-OUT

CUSTOMER DRAWING

| | | | | | | | | | |
|--|------------|------|---------------------------|------|--|-------|------|-------|--------|
| ☆ STAR SYMBOL DENOTES CRITICAL DIMENSION UNLESS OTHERWISE SPECIFIED 1. ALL DIMENSIONS IN INCHES - TWO PLACE DECIMALS ± 0.01 - THREE PLACE DECIMALS ± 0.005 - ANGLES $\pm 1^\circ$ | | | | | THIS DRAWING DESCRIBES A DESIGN CONSIDERED PROPRIETARY IN NATURE, DEVELOPED AND MANUFACTURED BY SWITCHCRAFT INC. AND IS RELEASED ON A CONFIDENTIAL BASIS FOR IDENTIFICATION PURPOSES ONLY. | | | | |
| | | | | | SIZE | WIDTH | MULT | LBS/M | TEMPER |
| FINISH | | | MATERIAL | | | | | | |
| SPEC No. | | | SPEC No. | | | | | | |
| FIRST USED ON | | | SCALE 1.5:1 | | | | | | |
| DATE DRAWN | BY | CHKD | APVD | | | | | | |
| 5/5/09 | RS | RS | TJK | | | | | | |
| REVISIONS | | | PART No. EHUSBAB_X SERIES | | | | | | |
| REV | ECO NUMBER | DATE | BY | APVD | REV | | | | |
| | | | | | A | | | | |

DO NOT SCALE DRAWING

SolidWorks CAD File

