

# SPECIFICATIONS

**MECHANICAL:**  
 SHOCK: MIL-STD 202 METHOD 213B, COND. K.  
 VIBRATION: MIL-STD 202 METHOD 201  
 LIFE: 300 INSERTION/WITHDRAWAL CYCLES (MINIMUM)

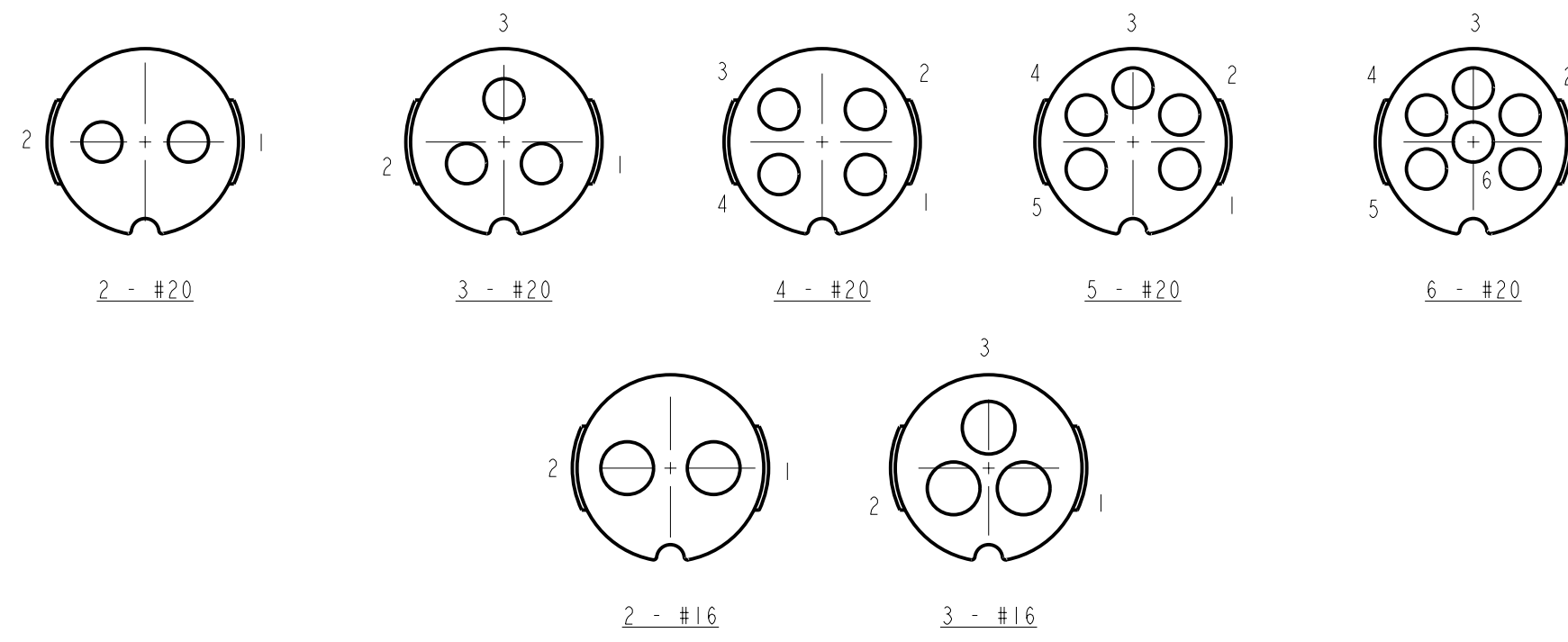
**ELECTRICAL**  
 DIELECTRIC WITHSTANDING VOLTAGE: 1,000 VAC  
 INSULATION RESISTANCE: 100 MEGOHMS (MIN) AT 77°F  
 CONTACT RESISTANCE: 5.0 MILLOHMS MAX.  
 CURRENT RATING: 7.5 AMPS (#20 CONTACT)  
 13.0 AMPS (#16 CONTACT)

**ENVIRONMENTAL**  
 TEMPERATURE LIMITS: -40°C TO +65°C (NON-OPERATING)  
 MOISTURE RESISTANCE: MIL-STD 202 METHOD 106F  
 INSULATION RESISTANCE: MIL-STD 202 METHOD 302, COND. B  
 THERMAL SHOCK: MIL-STD 202 METHOD 107G  
 SALT SPRAY: MIL-STD 202 METHOD 101D, COND. B  
 WATER TIGHTNESS TEST: U.S. COAST GUARD CFR 46 PART 110.20

**MATERIALS:**  
 CORD CONNECTOR SHELL, CONTACT  
 LOCKING DISK, COUPLING RING AND CABLE CLAMP  
**ASSEMBLY:**  
 THERMOPLASTIC POLYMER GLASS FIBER, FLAME RETARDANT

REAR BOOT AND CONNECTOR SHELL INTERIOR:  
 THERMOPLASTIC RUBBER

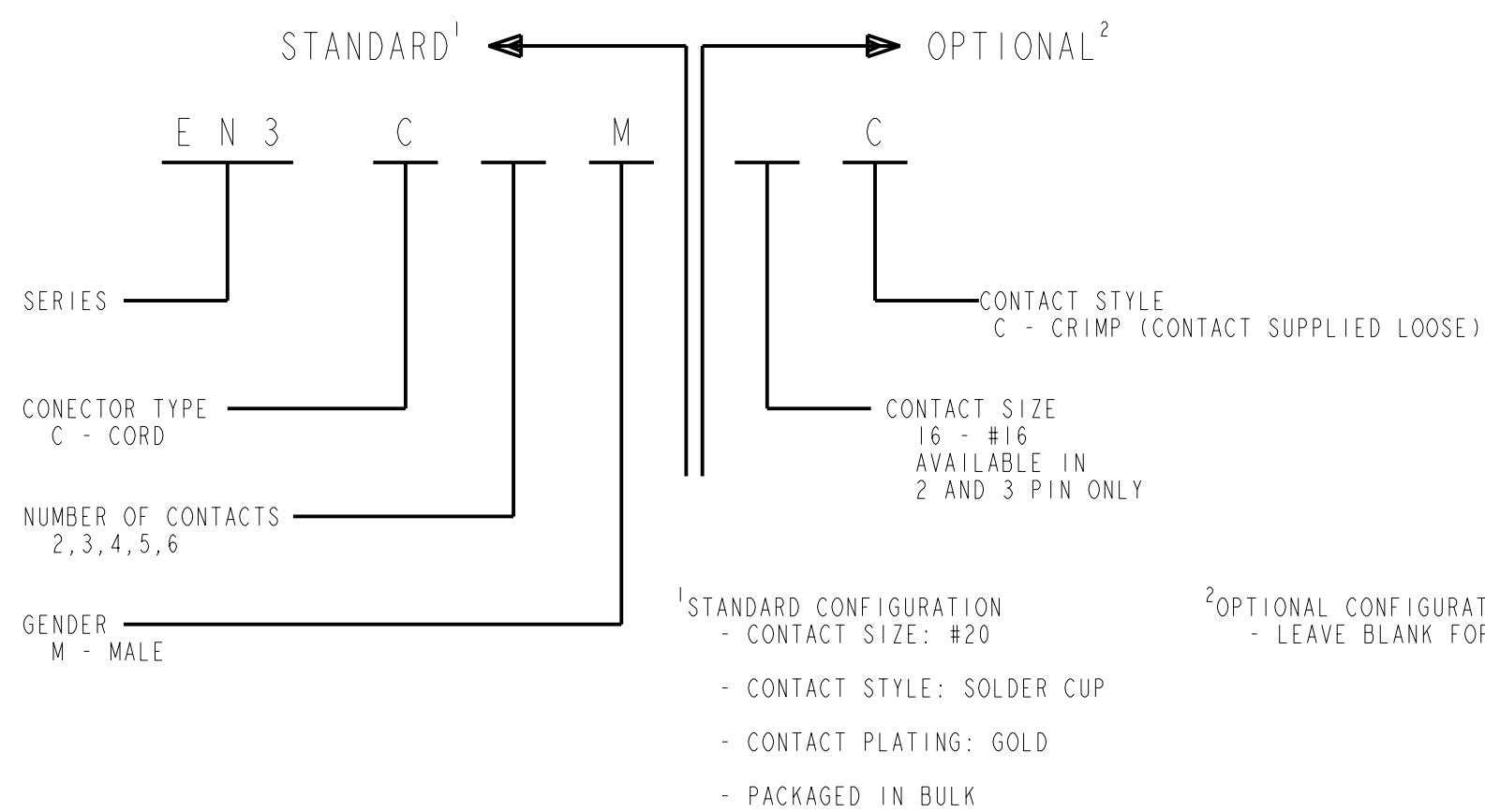
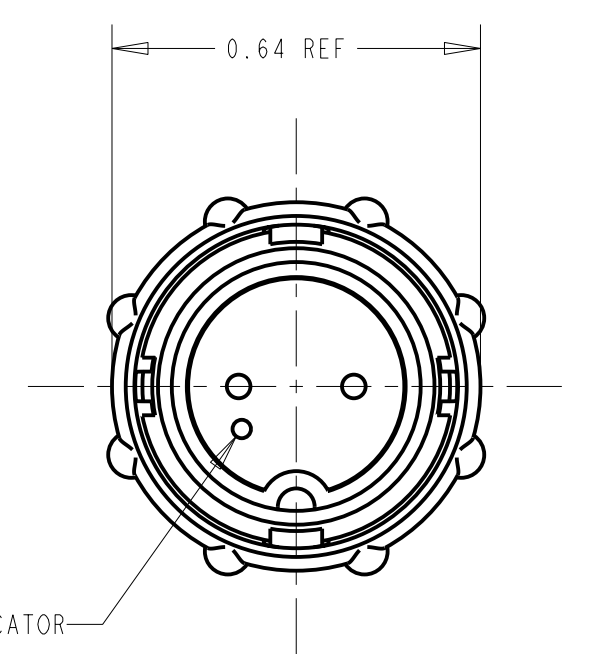
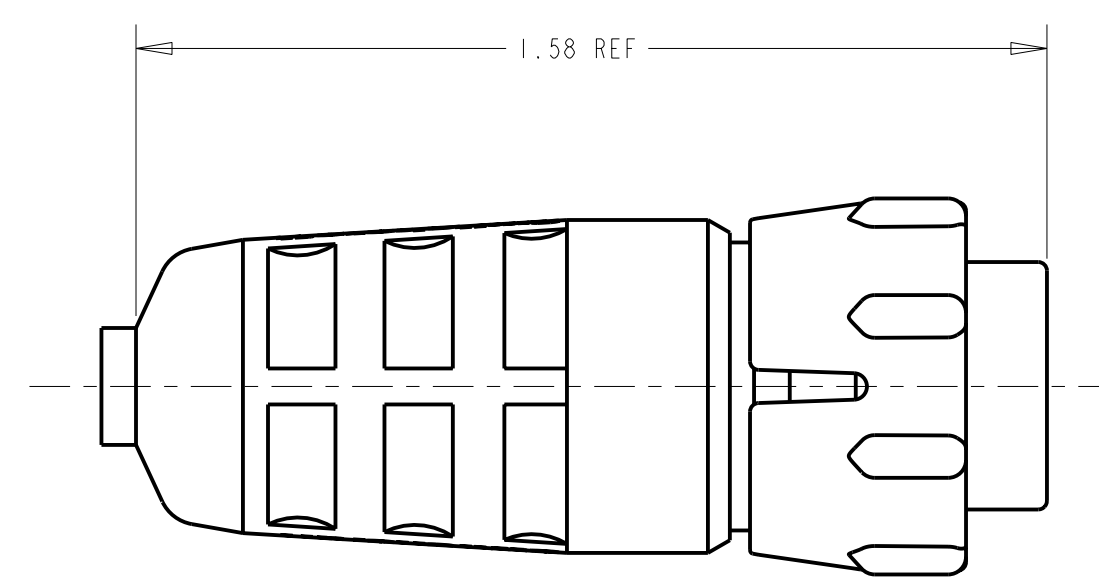
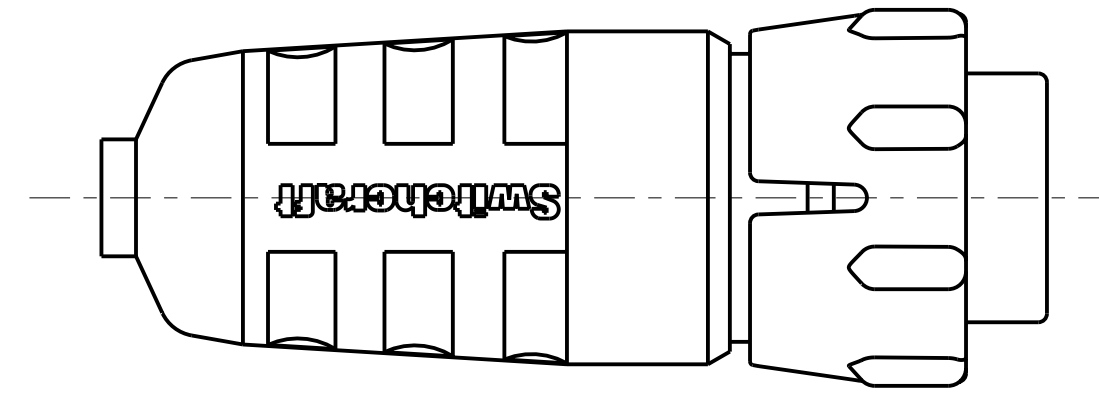
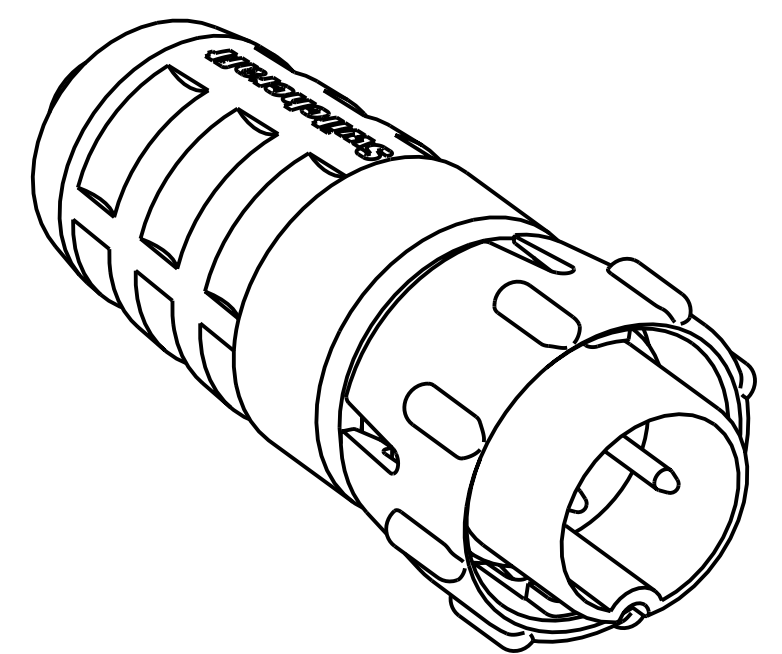
CONTACTS: COPPER BASE ALLOY GOLD-PLATED  
 OVER NICKEL UNDERPLATE



## CONTACT ARRANGEMENTS

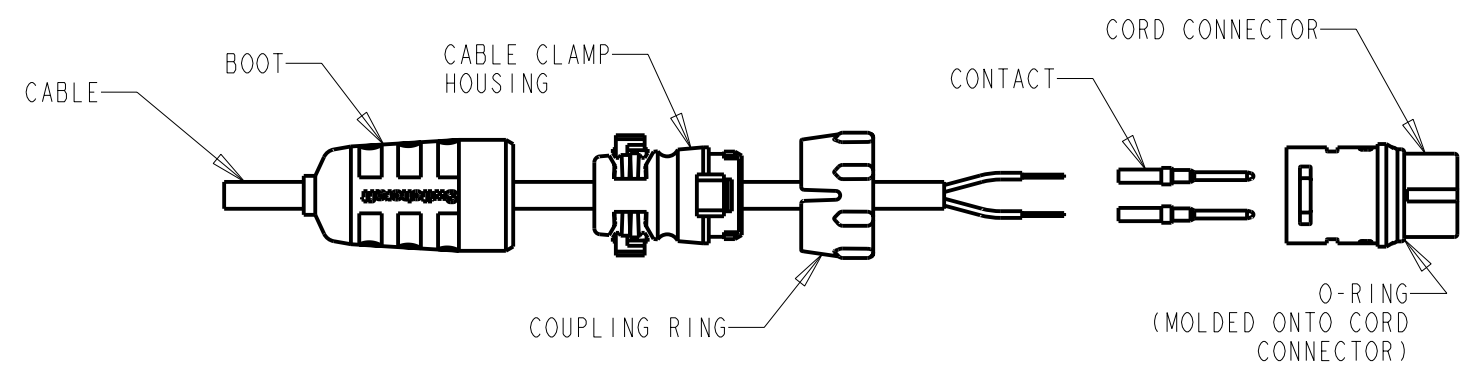
SHOWN ARE REAR VIEWS OF MALE CORD CONNECTORS

NOTE: #7 AND #8 PIN NOT AVAILABLE IN MALE CORD CONNECTOR.



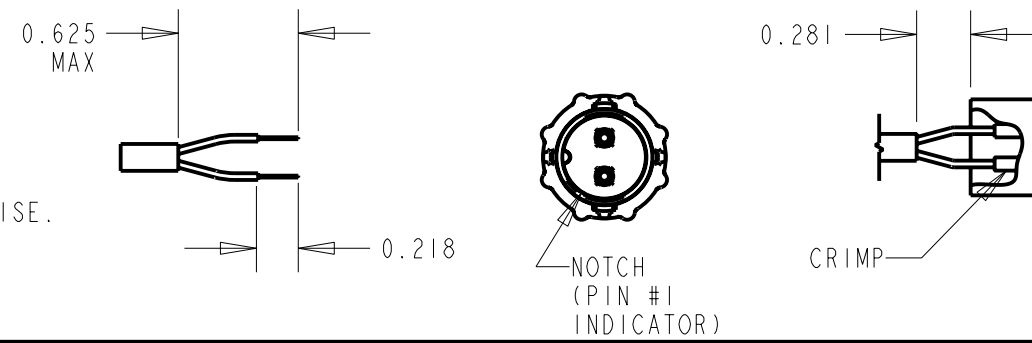
CUSTOMER DRAWING

				★ STAR SYMBOL DENOTES CRITICAL DIMENSION		THIS DRAWING DESCRIBES A DESIGN CONSIDERED PROPRIETARY IN NATURE, DEVELOPED AND MANUFACTURED BY SWITCHCRAFT INC. AND IS RELEASED ON A CONFIDENTIAL BASIS FOR IDENTIFICATION PURPOSES ONLY.				
				UNLESS OTHERWISE SPECIFIED		SIZE	WIDTH	MULT	LBS/M	TEMPER
				1. ALL DIMENSIONS IN INCHES - TWO PLACE DECIMALS ±0.01 - THREE PLACE DECIMALS ±0.005 - ANGLES ±1° - ALL DIA. CONCENTRIC WITHIN 0.005 T.I.R.		FINISH		MATERIAL SPEC No.		
				2. FEATURES ON THE SAME CENTERLINE MUST BE ALIGNED WITHIN ±0.002		FIRST USED ON		SCALE 3:1		
				3. REMOVE ALL BURRS		DATE DRAWN	BY	CHKD	APVD	
				DO NOT SCALE DRAWING		11-28-95	SG	11-28-95	RB	
				REVISIONS		NAME		PART No.		
						MALE CORD CONNECTOR		EN3C_M_C		
								SHEET 1 OF 2		
								REV D		

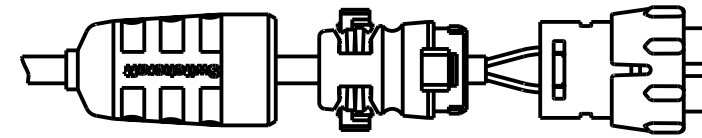


**STEP 1**  
 STRIP CABLE AS SHOWN.  
 FEED THE END OF THE CABLE THROUGH THE BOOT, CABLE CLAMP HOUSING, AND COUPLING RING IN THE ORDER AND POSITION SHOWN.  
 CRIMP CONDUCTOR TO CONTACT.  
 CONTACT #1 TO BE NEXT TO NOTCH.

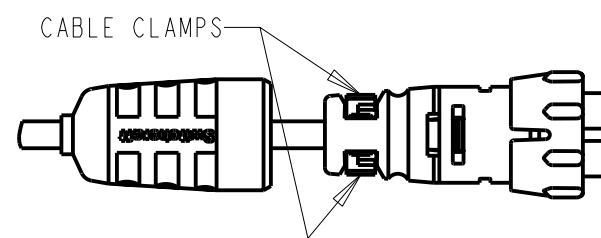
\*\*REMAINING CONTACTS TO BE PLACED COUNTER CLOCKWISE.



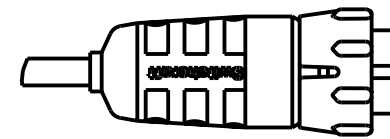
**STEP 2**  
 ALIGN COUPLING RING'S TABS WITH CORD CONNECTOR'S SIDE NOTCHES AND PUSH THE COUPLING RING ONTO CORD CONNECTOR.



**STEP 3**  
 PUSH THE CABLE CLAMP HOUSING FORWARD UNTIL IT LOCKS INTO THE CONNECTOR BODY AND SNAP THE TWO CLAMPS INTO IT'S COMPARTMENTS.

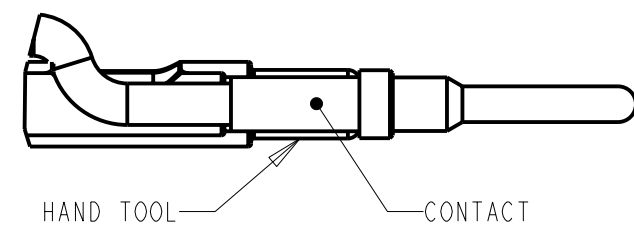


**STEP 4**  
 PUSH THE BOOT ALL THE WAY FORWARD TO SEAT TIGHTLY ONTO THE CABLE CLAMP HOUSING.

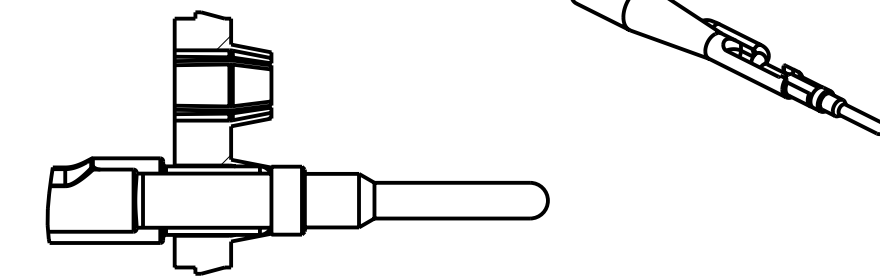


## CONTACT INSERTION INSTRUCTIONS

HOUSING NOT SHOWN

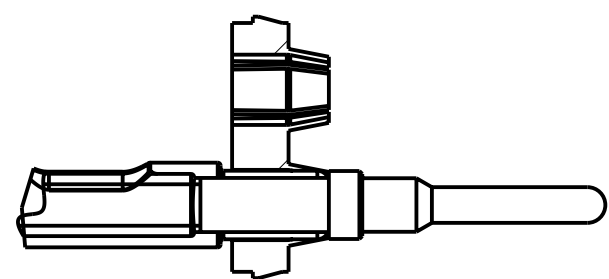


PLACE CRIMP CONTACT AND CONDUCTOR ONTO HAND TOOL.

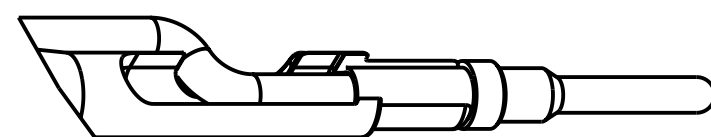


INSERT TOOL INTO HOUSING UNTIL IT BOTTOMS ONTO DISC.

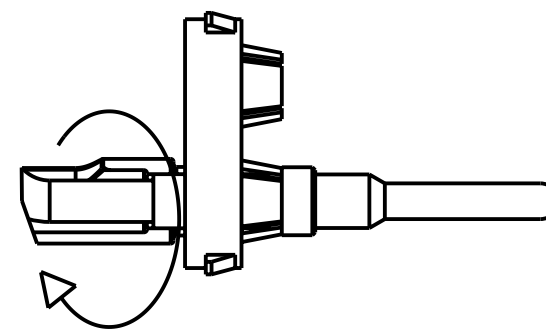
## CONTACT EXTRACTION INSTRUCTIONS



INSERT TOOL INTO HOUSING UNTIL IT BOTTOMS ONTO DISC.



PLACE CONDUCTOR INTO SLOT ON HAND TOOL AS SHOWN.



ROTATE HAND TOOL CLOCKWISE AND REMOVE FROM HOUSING.

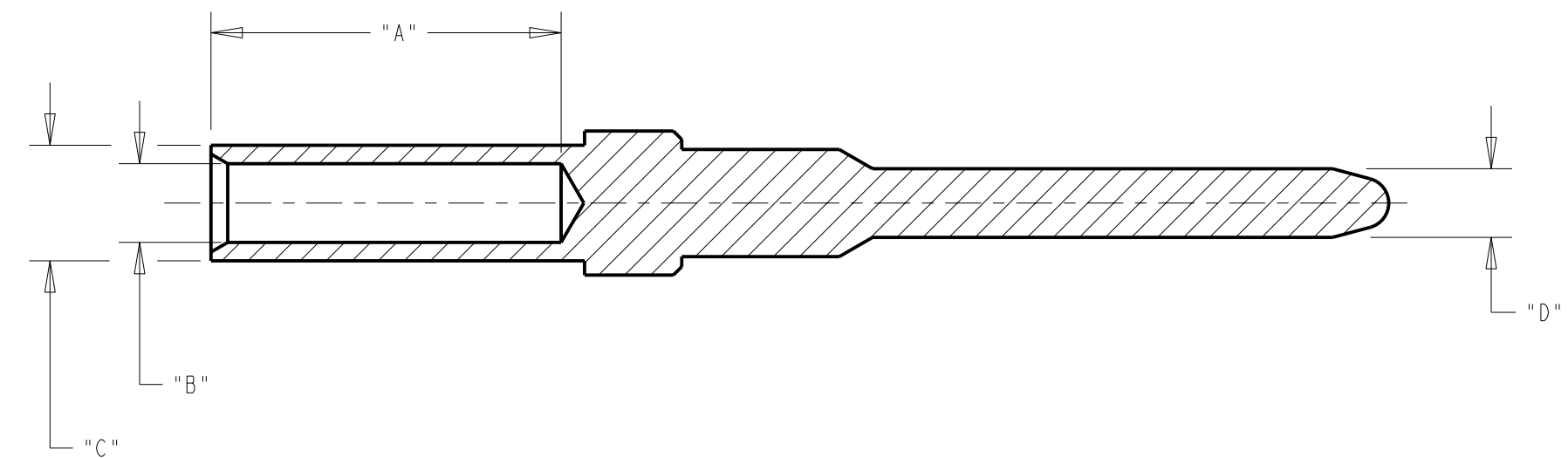
## EN3 CRIMP TOOL

SWITCHCRAFT PART NUMBER	DESCRIPTION	CONTACT SIZE	MANUFACTURER PART NUMBER	MILITARY PART NUMBER
EN3CR	CRIMP HAND TOOL FRAME	#20, #16	DMC MH860	M22520/7-01
EN3CRAUTO	POWER CRIMP TOOL	#20, #16	DMC WA22P	
EN3POS20	POSITIONER	#20	DMC 86-15	M22520/7-02
EN3POS16	POSITIONER	#16	DMC 86-3	M22520/7-04

CONTACT PART NO.	CONTACT SIZE	DIM. "A"	DIM. "B"	DIM. "C"	DIM. "D"	WIRE GAUGE RANGE	INSERTION/ EXTRACTION HAND TOOL
EN3CC20M	#20	0.209	0.047	0.069	0.041	#20-22-24	EN3INS20
EN3CC16M	#16	0.218	0.067	0.095	0.062	#16-18-20	EN3IN16

RECOMMENDED STRIP LENGTH: 0.218

ALL DIMENSIONS ARE REFERENCE UNLESS OTHERWISE SPECIFIED



CUSTOMER DRAWING

SCALE 3:1	<b>Switchcraft®</b>	
DATE DRAWN 15-Apr-96		
DRAWN BY CCB	PART No. EN3C_M_C	REV D