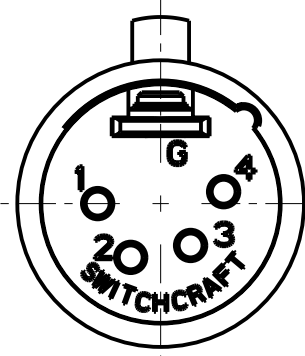
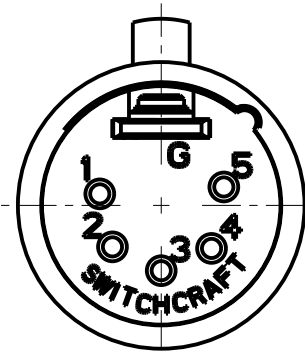


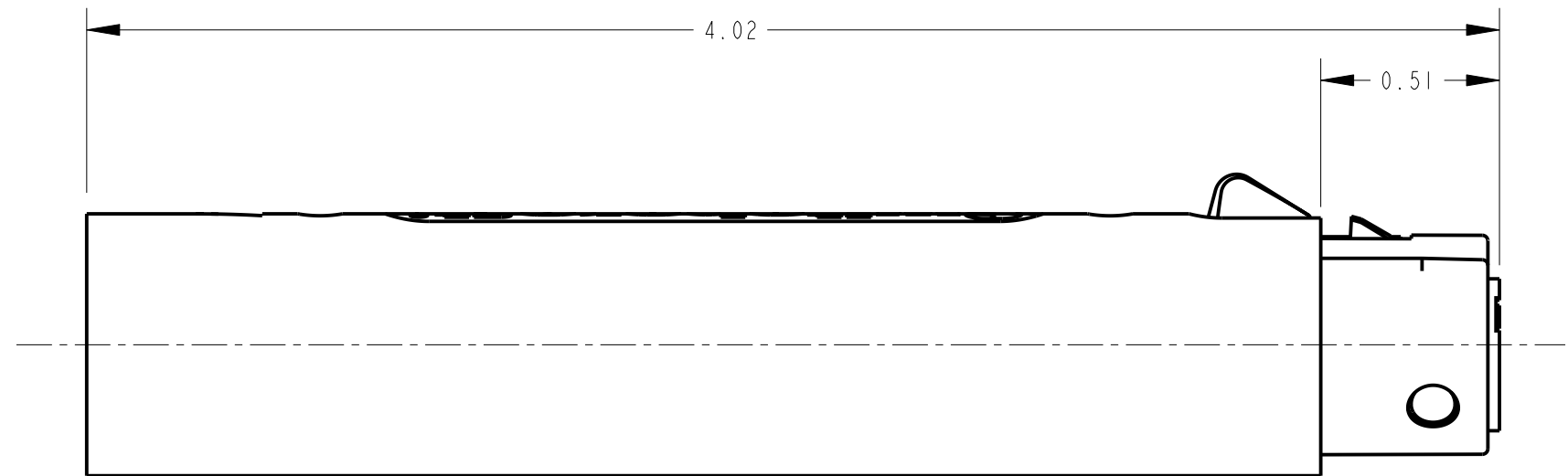
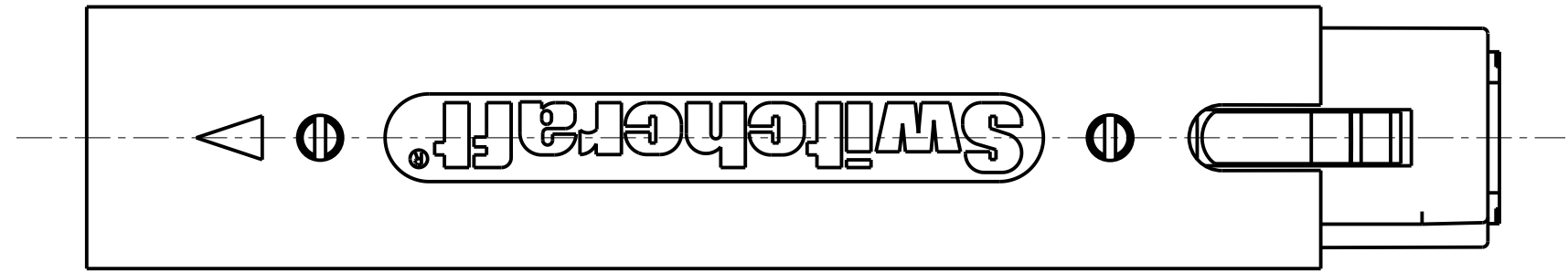
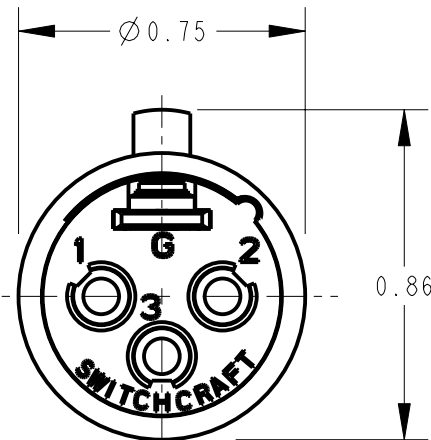
**S3FM**  
3 PIN



**S4FM**  
4 PIN



**S5FM**  
5 PIN



**STANDARD SERIES**

SCREWS - STAINLESS STEEL  
 SHELL - STAINLESS STEEL  
 HOUSING - ZINC, NICKEL PLATED  
 SOLDER TERMINALS - BRASS, ELECTRO TIN PLATED  
 INSULATORS - POLYESTER, GREEN  
 CONTACT PINS - BRASS, SILVER PLATED  
 RECEPTACLE PINS - BRONZE, SILVER PLATED  
 CONTACTOR - COPPER, NICKEL PLATED  
 LATCH SPRING - STAINLESS STEEL  
 LATCH BUTTON - ZINC, NICKEL PLATED  
 TUBULAR INSULATOR - MYLAR

S - F M  
 NO. OF CONTACTS:  
 3 = 3 CONTACTS  
 4 = 4 CONTACTS  
 5 = 5 CONTACTS

**NOTES:**

1. ALL DIMENSIONS REFERENCE UNLESS OTHERWISE SPECIFIED.

**CUSTOMER DRAWING**

					★ STAR SYMBOL DENOTES CRITICAL DIMENSION	THIS DRAWING DESCRIBES A DESIGN CONSIDERED PROPRIETARY IN NATURE, DEVELOPED AND MANUFACTURED BY SWITCHCRAFT INC. AND IS RELEASED ON A CONFIDENTIAL BASIS FOR IDENTIFICATION PURPOSES ONLY.						
					UNLESS OTHERWISE SPECIFIED	SIZE	WIDTH	MULT	LBS/M	TEMPER		
M	27096	2-7-13	TO	TJK	1. ALL DIMENSIONS IN INCHES - TWO PLACE DECIMALS ±0.01 - THREE PLACE DECIMALS ±0.005 - FRACTIONAL DIMENSIONS ±1/64 - ANGLES ±1° - ALL DIA. CONCENTRIC WITHIN 0.005 T.I.R.	FINISH			MATERIAL			
L	ECO #21378	1-29-97	MM	RB		SPEC No.			SPEC No.			
K	ECO #21057	1-29-97	MM	RB		FIRST USED ON		SCALE		<b>Switchcraft</b> <sup>®</sup>		
J	ECO #21034	1-28-97	MM	RB	DATE DRAWN		BY	CHKD	APVD			
H	20627	3-6-96	SG	SG	28-Aug-94		SG	SG	GHJ	SHEET   OF		
REV	ECO NUMBER	DATE	BY	APVD	3. REMOVE ALL BURRS					PART No.		
REVISIONS					DO NOT SCALE DRAWING	NAME			S SERIES OQ ADAPTOR MALE/FEMALE		S_FM SERIES	REV M