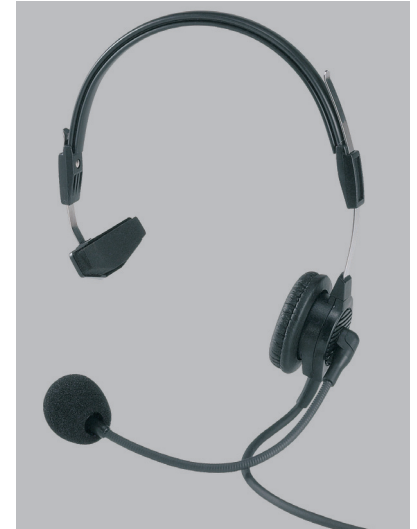


## Model PH-88 Headset

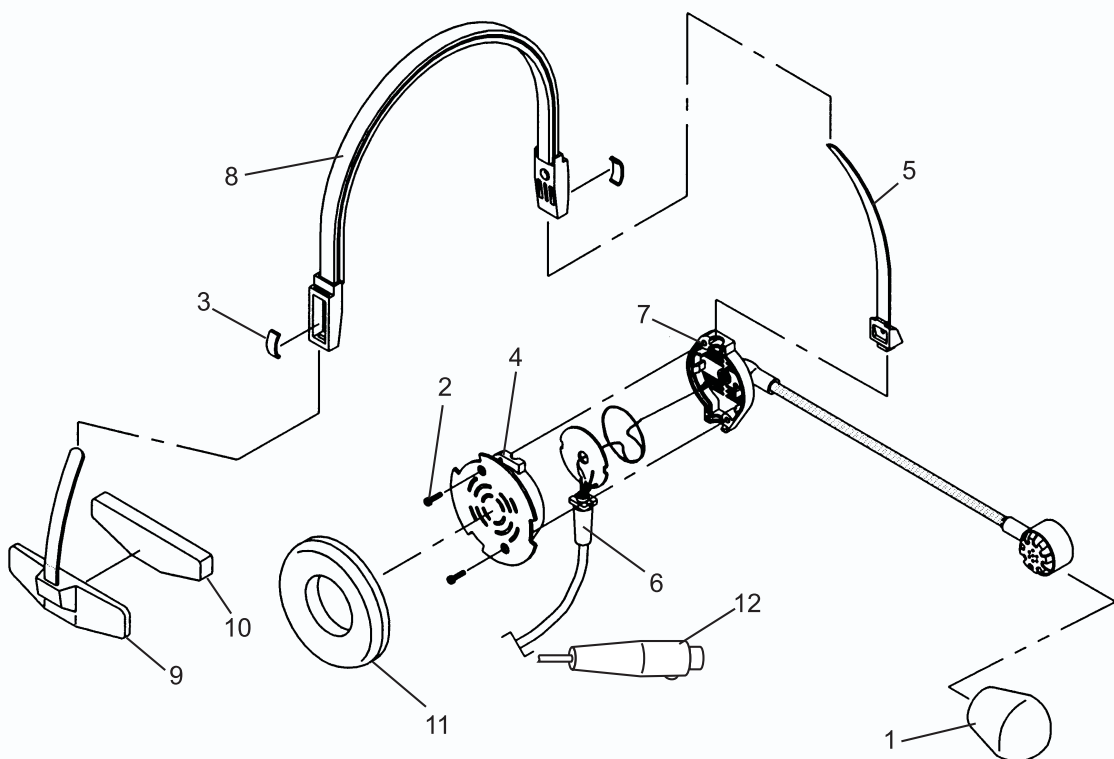
The PH-88 headset is a super lightweight, single-sided headset for the ultimate in day long comfort. The PH-88 features high quality, monaural, dynamic earphones with a dynamic noise cancelling microphone on an adjustable boom that can be bent to practically any mouth-to-mic position. The unit has a straight cord and is available in various connector configurations.

### Parts List

Item	Description	Qty.	Part No.
1	Windscreen	1	59835-000
2	PT-Pan Head Screw, KA15 x 6 (.236) LG, Black	4	590404-360
3	Glider Spring	2	64305-000
4	Housing Assy	1	64308-107
5	Glider Assy	2	64310-000
6	Cord Amp Assy	1	64311-053
7	Boom Mic/Housing Assy	1	800499-000
8	Headband Assy	1	64352-026
9	Temple Plate	1	70531-002
10	Foam Pad	1	70533-000
11	Ear Cushion	1	F.01U.253.600
12	Connector, PH-88 & PH-88, XLR-4F	1	35320-004
	Connector, PH-88R, XLR-4M	1	35398-004
	Connector, PH-88R5, XLR-5M	1	35398-005



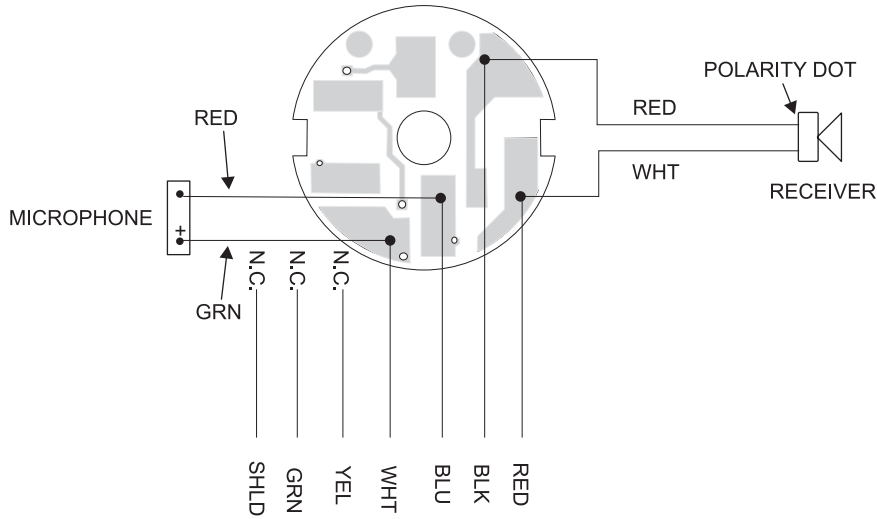
### Exploded View



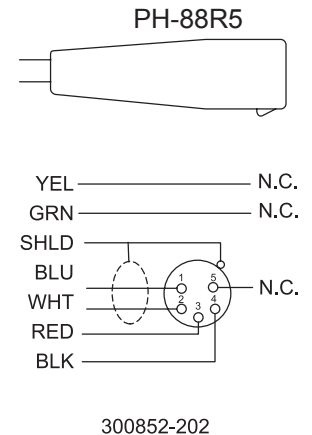
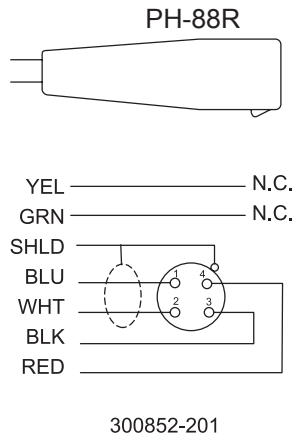
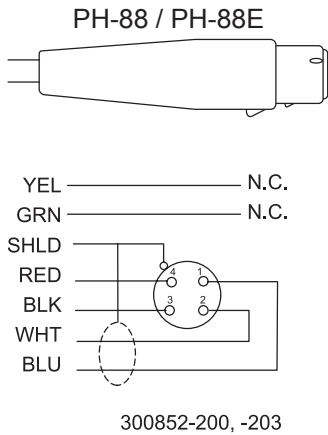
# Specifications

Receiver Type.....	Dynamic
Receiver Impedance.....	300Ω
Microphone Type.....	Dynamic
Microphone Impedance.....	200Ω
Weight.....	4.6 oz.
Cord.....	6ft, straight

## Wiring Diagram and Connector Wiring



Wiring Diagram



The specification information is preliminary and is subject to change without notification.  
 Brand names mentioned are the property of their respective companies.