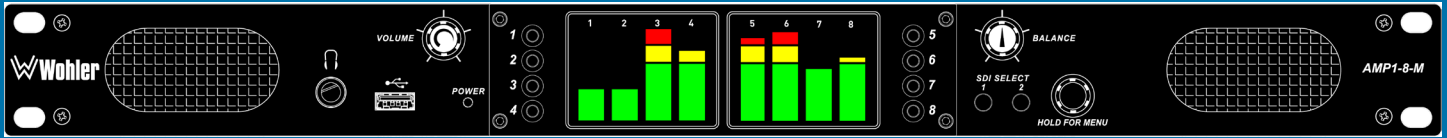


AMP1-8-M

Dual Input SDI 8 Channel Audio Monitor



Compact, low-cost unit to select and monitor up to 8 audio channels from either of two 3G/HD/SD-SDI inputs

The AMP1-8-M offers fast, intuitive operation for monitoring SDI audio in the most demanding production applications.

Whether in the studio or on the road, the AMP1-8-M provides instantaneous selection and summing of any grouping of SDI audio pairs. It features adjustable volume and balance controls, clear display of levels, and phase indications on bright 2.4" LED-backlit LCD displays with configurations that can be created, saved and recalled via Ethernet or USB flash drive using an intuitive PC interface.



Features

- Simultaneous level metering of 8 de-embedded audio channels from SDI
- High resolution metering with 166-segment displays
- Quick, intuitive push-button selection of any pairs to sum to monitor
- Monitor through built-in speakers, headphones or analog outputs with optional muting for internal speakers
- Stereo or mono monitoring
- Stereo phase indicators
- Adjustable Volume and Balance
- Balanced stereo analog outputs on XLR-Ms. Fixed level or volume/balance controlled.
- Automatic frame rate detection and selection
- Totally digital system architecture with high fidelity Class D amp
- Selectable line level or front panel volume control and outputs
- Shallow chassis depth for easy installation in OB vehicles and consoles

Part Numbers:

AMP1-8-M 8130-0450 8 Channel, Dual Input 3G/HD/SD-SDI. Audio Monitor. 1RU.

Similar products also available:

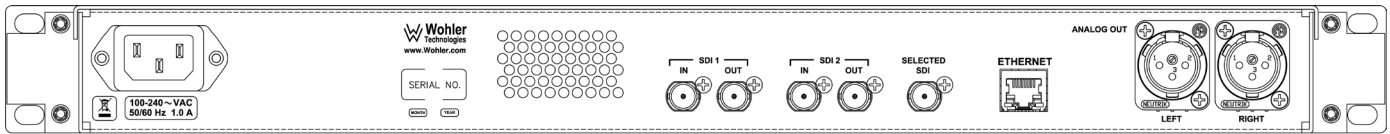
AMP1-16-M 8130-0400 16 Channel, Dual Input 3G/HD/SD-SDI. Audio Monitor. 1RU.

AMP1-8-M

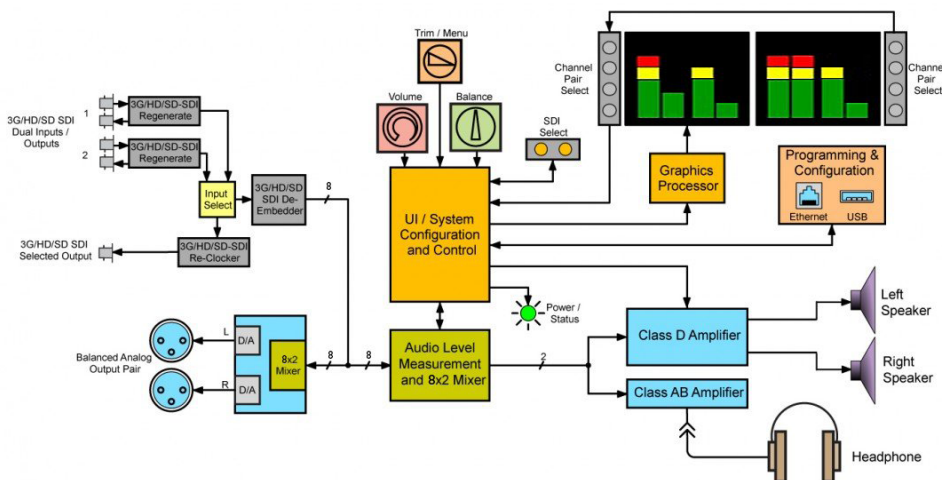
Dual Input SDI 8 Channel Audio Monitor



Rear Panel



Block Diagram



Specifications

Dimensions (W x H x D)	1RU in standard 19" rack: 19" x 1.75" x 4.25" (483 mm x 44 mm x 108 mm)
Shipping Weight / Net Weight	7 lbs. (3.2 kg) / 5 lbs. (2.8 kg)
Power Consumption/Requirements	60 W typical, 100 to 240 VAC \pm 10%, 50/60 Hz
Inputs/Outputs	<ul style="list-style-type: none"> • Two 3G/HD/SD-SDI Inputs on BNC • Two looped-through SDI outputs on BNC • One selected SDI reclocked output on BNC • 8 Balanced analog outputs on XLR-M • 1 headphone (1/4" jack) • Ethernet
Display Type	Two 2.4" LED-backlit LCDs
Power Output	6 W RMS per side, 12 W peak
Frequency Response	150 Hz to 16 kHz (\pm 5 dB) acoustic, 40 Hz to 20 kHz (\pm 1dB) electrical
Level Metering	Simultaneous average and PPM; Phase
Acoustic Output	90 dB SPL @ 2 feet
Interfaces	<ul style="list-style-type: none"> • Optional PC control software • Front panel USB port for preset storage/transfer