

# INSTALLATION INSTRUCTIONS

## AC1 DC CONTROLLED SWITCHED AC OUTLET

The AC1 is a DC voltage controlled AC outlet, capable of switching up to 15 Amperes of continuous current to a device or power strip. It is intended primarily to provide common and zone AC power management in conjunction with the CO & STATUS ports of the ZPR68 and ZPR68-10. It is usable, however, in any application where it is desired to have an AC outlet turned on and off by a DC control voltage.

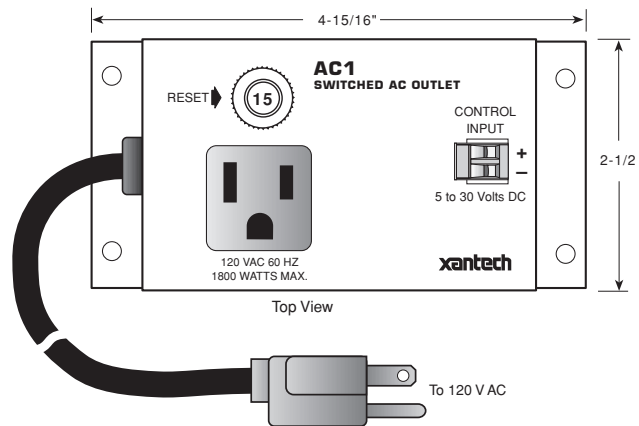


Fig. 1 The AC1

### SPECIFICATIONS

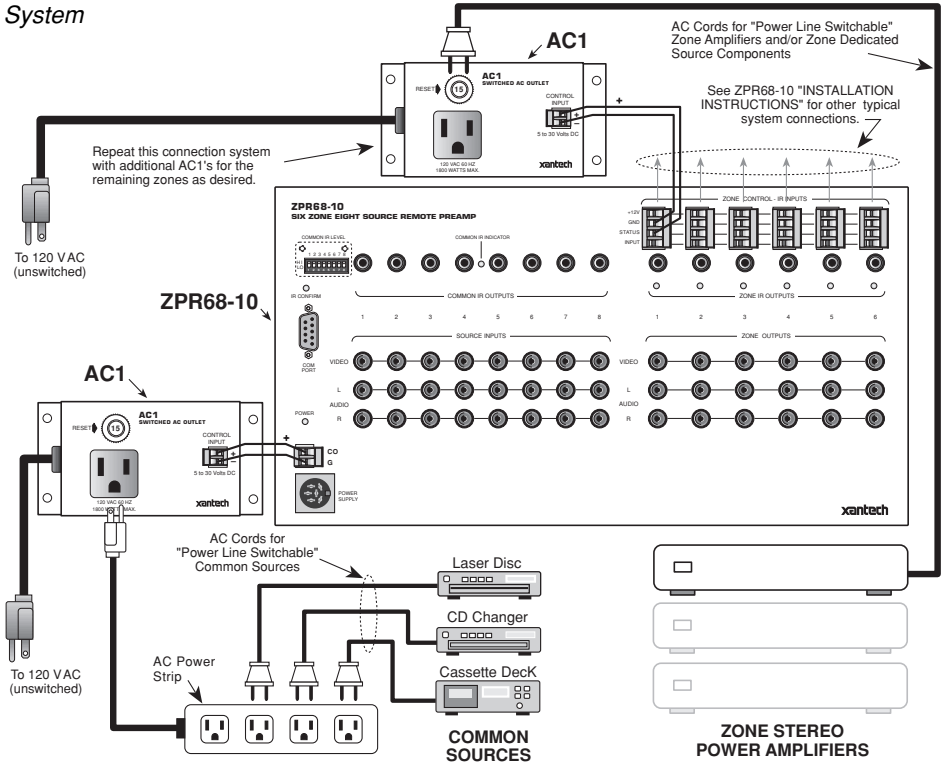
- **Maximum Switching Current:** 15 Amps continuous, 30 Amps peak inrush, at 120 VAC, 60 Hz.
- **AC Circuit Breaker:** Opens if AC current exceeds 15 Amps. Push-to-Reset button.
- **AC Power Cord:** 120 VAC 16 gauge 5 ft., 3-conductor.
- **Standby AC Line Current:** < 2 mA (< .24 Watts).
- **Control Input:** Plug-in screw-type terminals for two-conductor connections. Handles wire sizes from 24 to 12 gauge.
- **Control Input Turn-ON Voltage Range:** 5 to 30 Volts DC, @1.5 mA/V.
- **Control Input Turn-OFF Voltage:** <2 Volts DC.
- Flanges, plus supplied screws, permit easy mounting to flat surfaces.
- **Dimensions:** 4-15/16" L x 2-1/2" W x 2-5/8" H (125mm x 64mm x 67mm)

### INSTALLATION

The AC1 provides a convenient means to manage the power ON/OFF status of "Power Line Switchable" components in a ZPR68-10 multi-zone system. Typical connections are shown in **Fig. 2**.

"Power Line Switchable" components are those that have manual power switches that can be left "ON" or those that "remember" their "ON" condition when their power cords are unplugged.

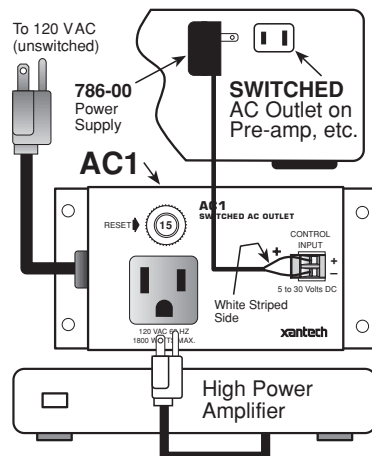
**Fig. 2** Using AC1's in a ZPR68-10 System



The **Fig. 2** example works as follows:

- The Zone power amplifier (and other zone dedicated components, if used) is switched ON when a ZPR68-10 INPUT command turns a zone ON [STATUS terminal goes high (+12V)].
- The Zone power amplifier (and other zone dedicated components, if used) is switched OFF when a ZPR68-10 OFF command turns a zone OFF [STATUS terminal goes low (0V)].
- The Common Source components are switched ON when the first ZPR68-10 zone is turned ON [CO terminal goes high (+12V)].
- The Common Source components are switched OFF when the last ZPR68-10 zone is turned OFF [CO terminal goes low (0V)].

Another excellent application for the AC1 is to switch components that draw more power than is available from the switched AC outlet on the rear of A/V receivers, preamps, etc. **Fig. 3** illustrates such a system:



**Fig. 3** Switching Higher Power Units