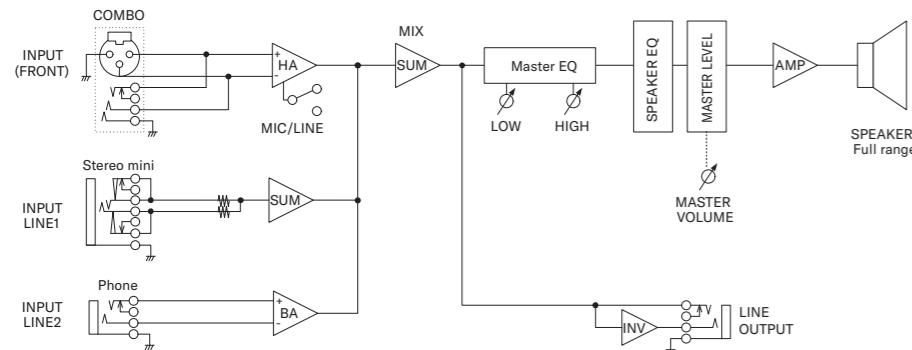


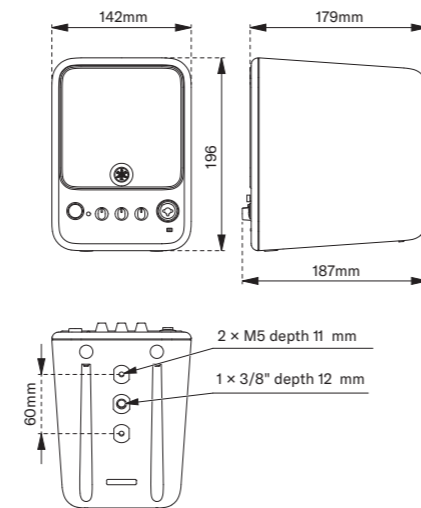
## Specifications

System Type	Full range Powered Speaker, Bass-reflex Type	
Frequency Range (-10dB)	77Hz-20kHz	
Measured Maximum SPL (Peak) / Pink noise @1m	115 dB SPL	
LF	Diameter	4" (10cm) Cone
	Voice coil	1.0"
	Magnet	Ferrite
Dimensions (WxHxD, without rubber feet)	142 x 196 x 187 mm	
Net Weight	2.1 kg	
Screw threads (bottom)	2 x M5 depth 11mm pitch 60mm (for 2 x M5 x 6-10mm screws)	
	1 x 3/8" depth 12mm (for 1 x 3/8" x 9-11mm screw)	
Amplifier Type	Class-D	
Power Rating *1	Dynamic	30W
	Continuous	20W
Cooling	Natural cooling (no fan)	
Connectors	Input	INPUT (Front): Combo, LINE INPUT 1: Stereo mini, LINE INPUT 2: Phone(TRS)
	Output	Phone (TRS) x1
	Power	IEC AC inlet x1
Input Impedance	INPUT (Front): LINE: 5.4 kΩ, MIC: 5.4 kΩ, LINE INPUT 1, 2: 10 kΩ	
Input Sensitivity (VOLUME: Maximum)	INPUT (Front): LINE: -10 dBu, MIC: -40 dBu, LINE INPUT 1, 2: -10 dBu	
Nominal Input Level (VOLUME: Center)	INPUT (Front): LINE: +5 dBu, MIC: -25 dBu, LINE INPUT 1, 2: +5 dBu	
Maximum Input Level	INPUT (Front): LINE: +20 dBu, MIC: -10 dBu, LINE INPUT 1, 2: +20 dBu	
Controls	VOLUME x1, LOW CONTROL x1, HIGH CONTROL x1, POWER	
Indicators (LED)	POWER (Green)	
Idle Power Consumption	3 W	
1/8 Power Consumption	10 W	
Power Requirements	100V - 240V, 50/60Hz	

## Block Diagram



## Dimensions



## Optional Brackets



Wall Mounting brackets  
**BWS20-120**



Wall Mounting brackets  
**BWS20-190**



Ceiling Bracket  
**BCS20-150**



Ceiling Bracket  
**BCS20-210**



Mic Stand Adaptor  
**BMS-10A**



Free-Angle Clamp  
**BAS-10**



YAMAHA CORPORATION  
P.O.BOX1, Hamamatsu Japan

<https://www.yamaha.com/2/proaudio/>

\*All specifications are subject to change without notice.

\*All trademarks and registered trademarks are property of their respective owners.

2021.11



POWERED MONITOR SPEAKER

# MS101-4





**A compact, convenient approach to high-quality monitoring anywhere**

Yamaha's smallest powered monitor speaker compatible with both line and mic inputs, the MS101-4 powered monitor speaker offers the flexibility needed for temporary or permanent use in applications requiring simple, compact monitors.



THE DE FACTO STANDARD  
FOR COMPACT MONITORING  
IN A SIMPLE FORM

The standard model in our range of desktop utility powered monitors, the MS101-4 offers portability in a compact design and simple but comprehensive functions for outstanding usability. The MS101-4 comes with a 3/8-16 threaded female mounting for direct attachment to a Euro microphone stand, and optional accessories can also be added for use in a wide range of applications.

- 30W of amplifier power provides clean, high output sound
- Redesigned enclosure for an even lower profile
- Combo Input jack accepts both XLR and 1/4" connectors
- Directly mountable on Euro microphone stands (Optional mic stand adaptor BMS10-A is available for adjusting tilt angle)

POWERED MONITOR SPEAKER  
**MS101-4**

**Simple, portable, durable design**

With the controls (power switch, volume and tone controls) and the combo jack input on the lower front panel, the MS101-4 is simple and easy to operate. The sturdy metal grill offers complete protection for the four-inch cone driver, while the rear features a power cord that can be easily removed for transport. The MS101-4 offers a compact, lightweight form that is both portable and durable.



**Set up Examples**

